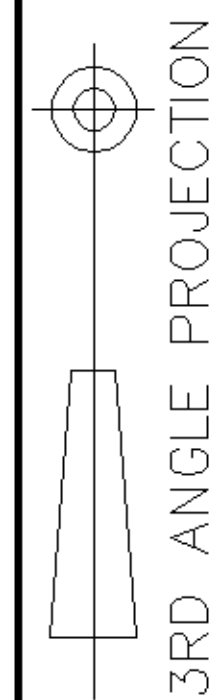


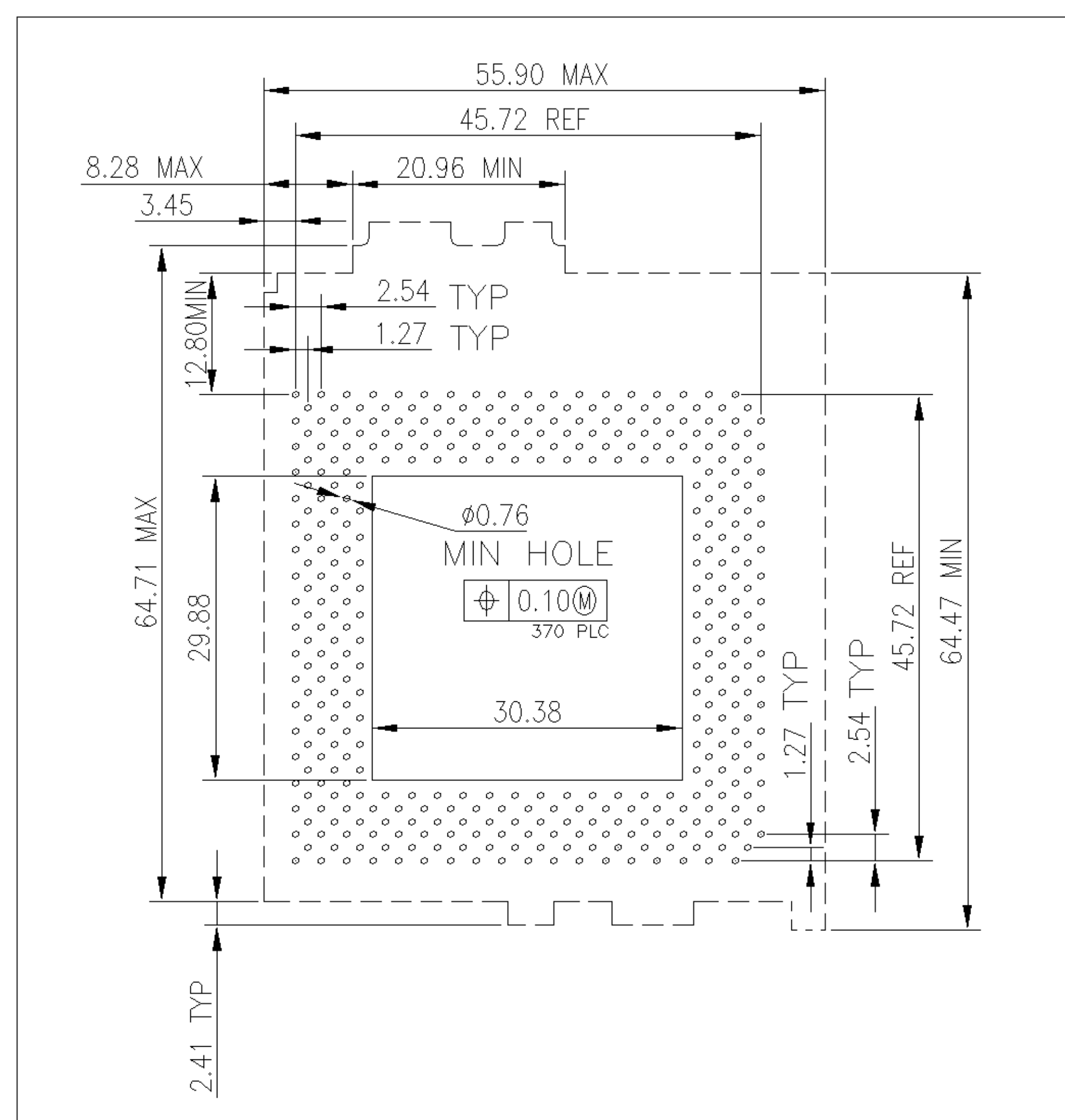
NUMBER
C-1734396



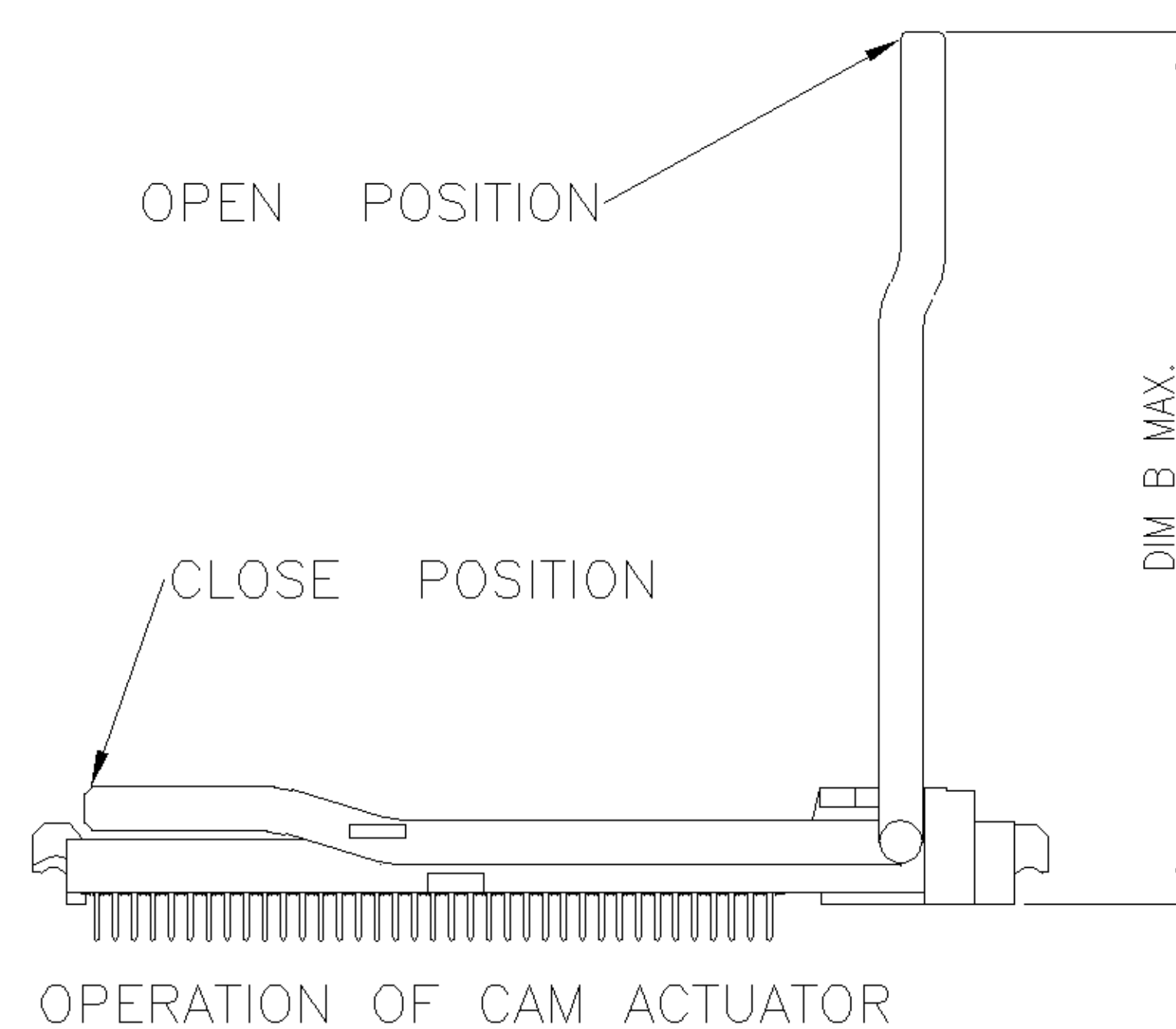
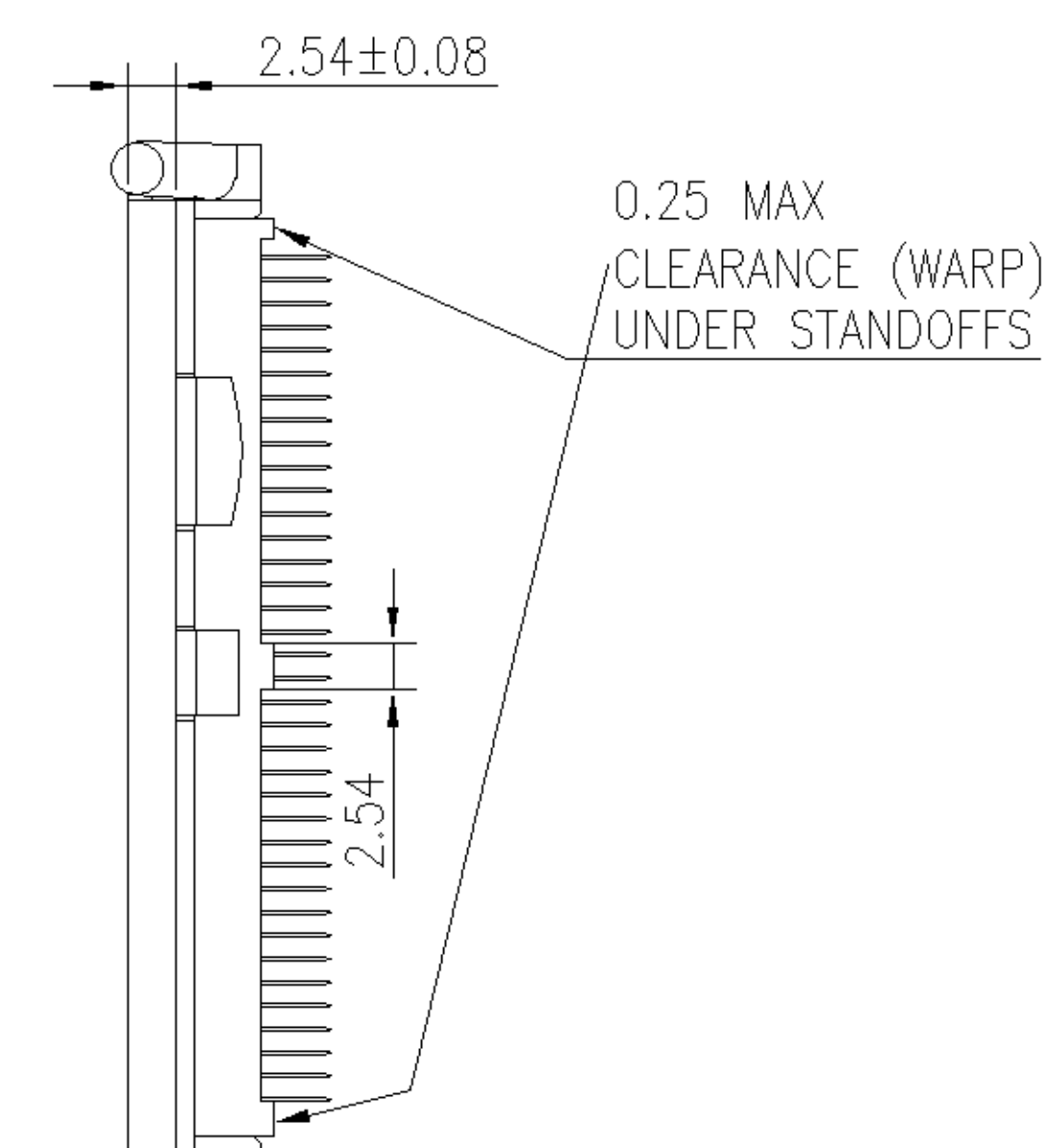
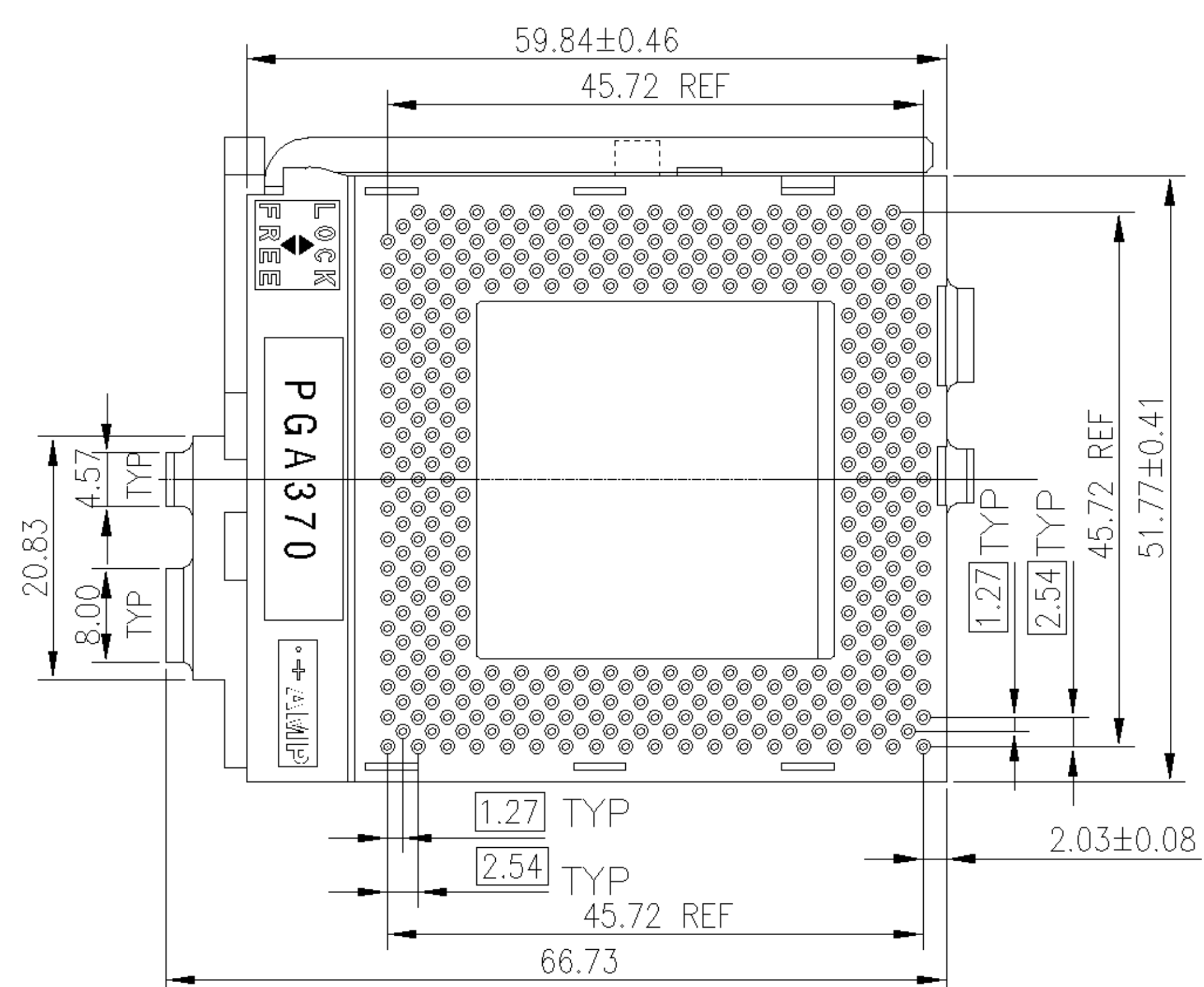
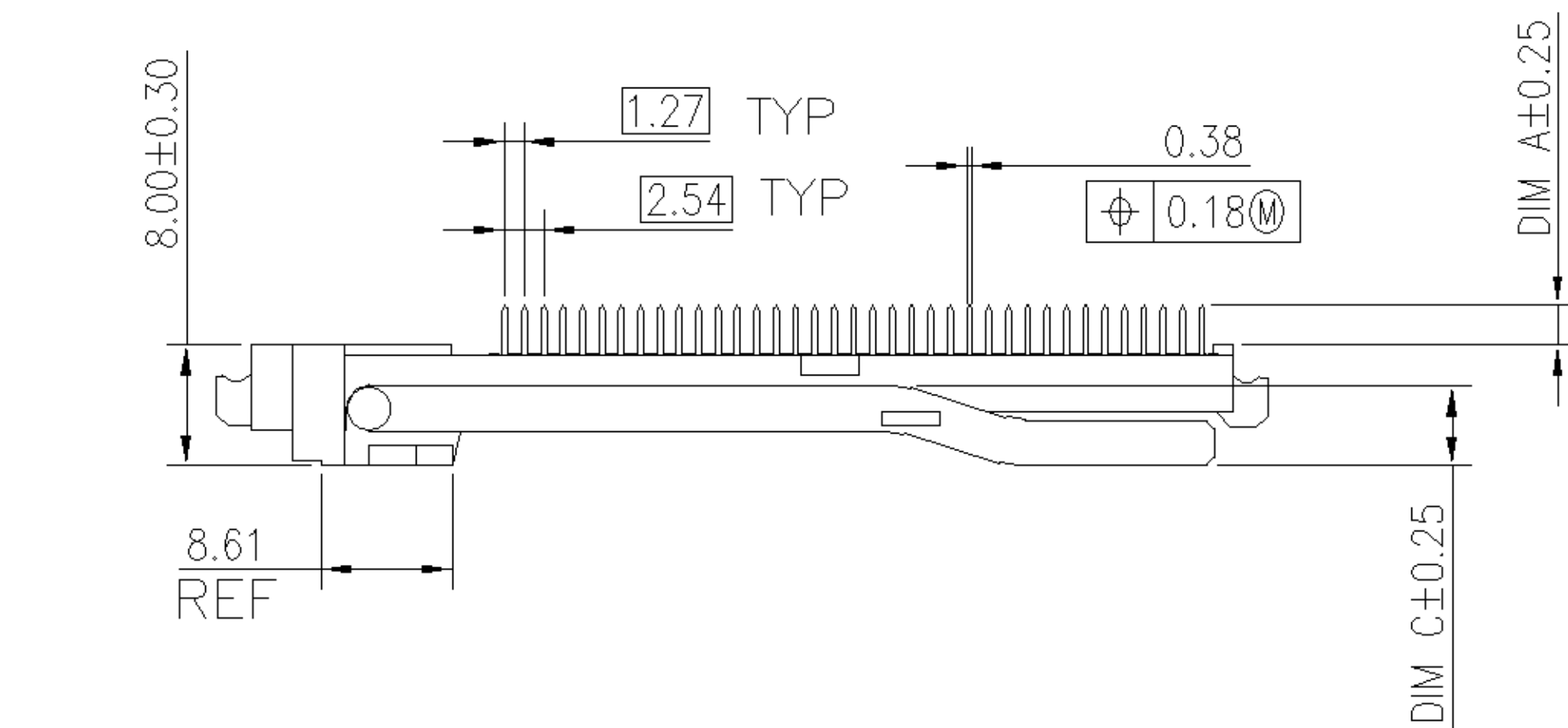
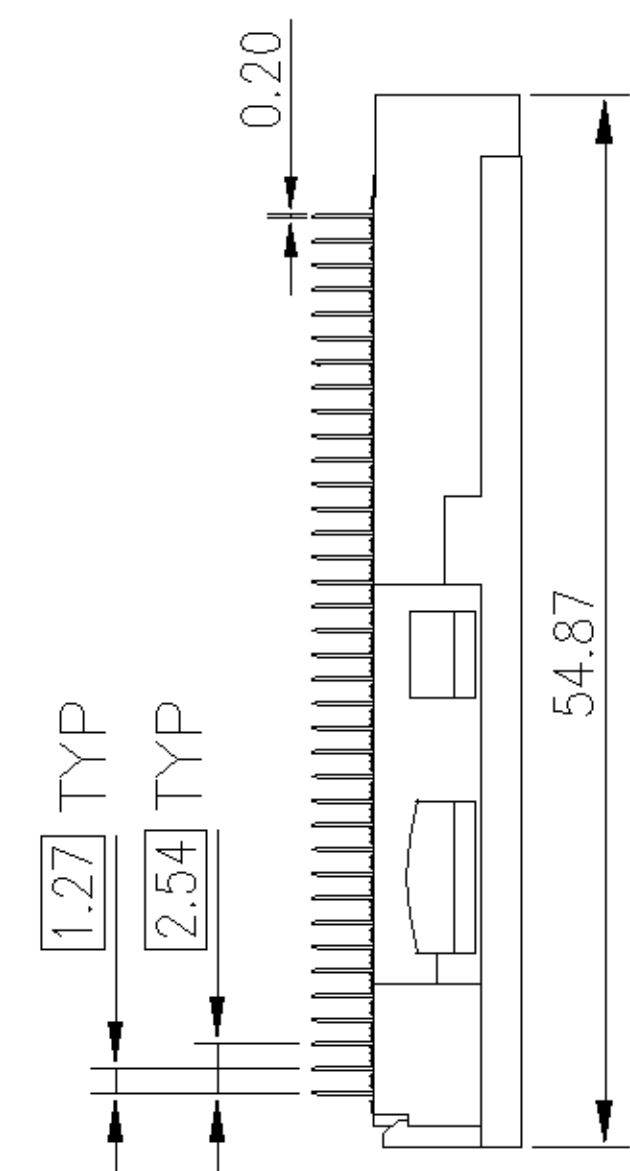
METRIC

THIS INFORMATION IS CONFIDENTIAL AND IS DISCLOSED TO YOU ON CONDITION THAT NO FURTHER DISCLOSURE IS MADE BY YOU TO OTHER THAN AMP PERSONNEL WITHOUT WRITTEN AUTHORIZATION FROM AMP (TAIWAN) LTD. DIMENSIONS IN MILLIMETERS. DO NOT SCALE PRINT.

PRINT DIST
DW



RECOMMENDED PCB LAYOUT
(TOLERANCE: ±0.05)



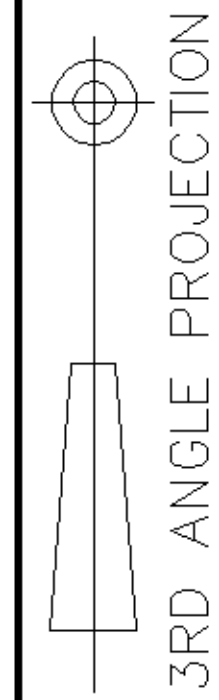
- NOTES:
- MATERIAL:
 - HOUSING: THERMOPLASTIC, HIGH TEMP., UL94V-0; COLOR:NATURE WHITE.
 - CONTACT: PHOSPHOR BRONZE.
 - LEVER: STAINLESS STEEL.
 - FINISH:
 - CONTACT: GOLD FLASH PLATING ON CONTACT AREA. 100µ" MIN. BRIGHT TIN PLATING ON SOLDER TAIL AREA, 50µ" MIN. NICKEL UNDERPLATING OVERALL.
 - SPECIFICATIONS:
 - MECHANICAL: CONTACT RETENTION: 0.30Kg Min
 - ENVIRONMENTAL: OPERATING TEMPERATURE: -55°C TO 85°C.
 - SOCKET WILL ACCEPT ANY P.G.A. PACKAGE WITH A PIN $\phi 0.46-0.03$ AND A LENGTH OF $3.05-3.30$ LOCATED ON A TRUE POSITION OF 0.25 PER TYCO SPEC. 109-202, CONDITION B.

5.30	59.65	2.36	30u" MIN.	1734396-3
			15u" MIN.	1734396-2
			G/F	1734396-1
DIM C	DIM B	DIM A	GOLD PLATED	PART NUMBER

TOLERANCES UNLESS OTHERWISE SPECIFIED:		DWN	S. HOU	
0 PLC	± 0.45		19-MAY-2005	
1 PLC	± 0.25	CHK	W.J. KE	
2 PLC	± 0.18		19-MAY-2005	
3 PLC	± 0.013			
ANGLES	± 3'			
MATERIAL	SEE NOTE	APVD	W.J. KE	
			19-MAY-2005	
FINISH	SEE NOTE	PRODUCT SPEC	108-1572	
		APPLICATION SPEC	114-1100	
		WEIGHT	24 GRAM	
		LOC	SIZE	DRAWING NO
		DW	A ₃	C-1734396
		SCALE	SHEET	
			1 OF 2	

0	FIRST RELEASED	--	SH	19MAY
LTR	REVISION RECORD	ECN	WKC	2005
			DWN	DATE
			CHK	

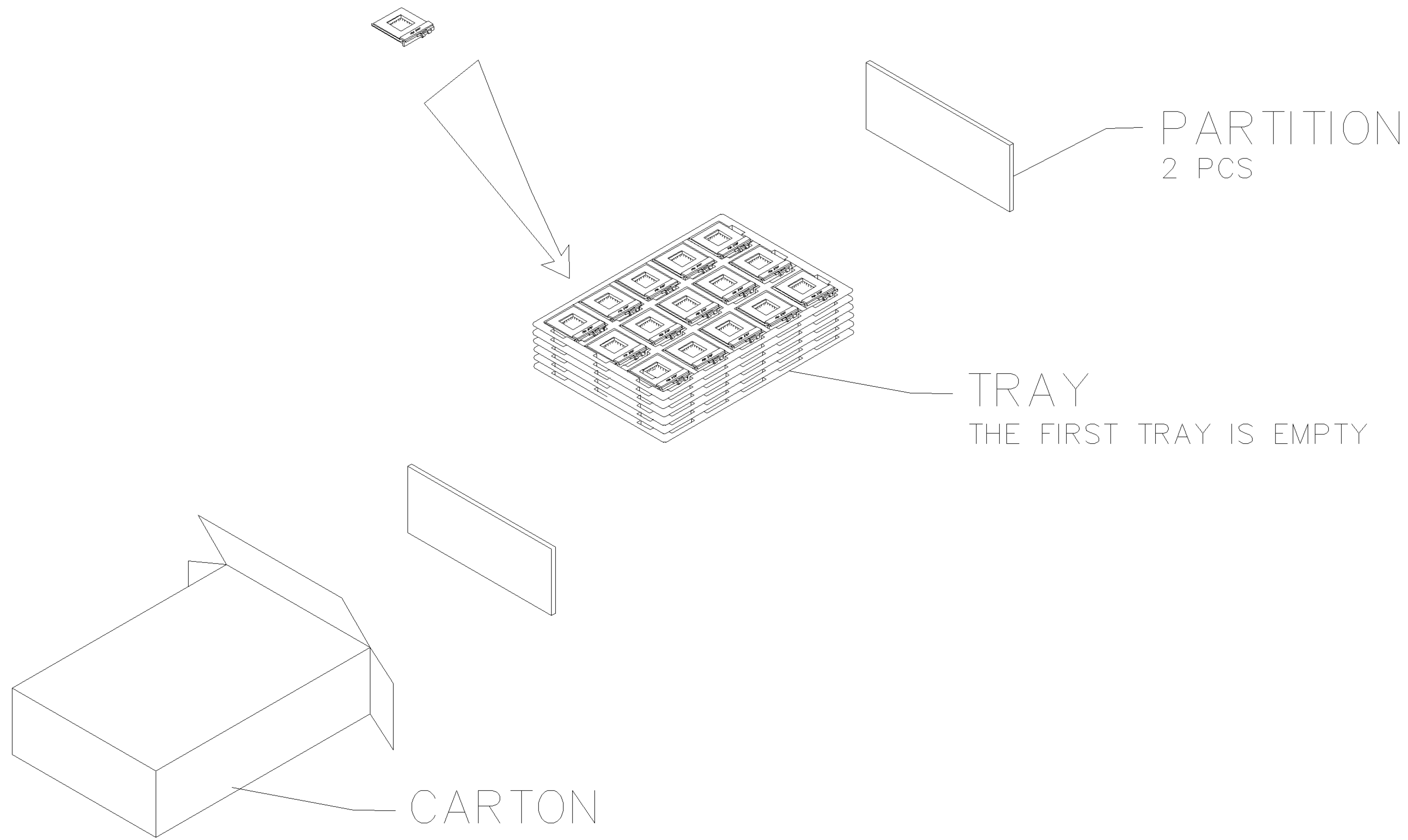
NUMBER
C-1734396



METRIC

THIS INFORMATION IS CONFIDENTIAL AND IS DISCLOSED TO YOU ON CONDITION THAT NO FURTHER DISCLOSURE IS MADE BY YOU TO OTHER THAN AMP PERSONNEL WITHOUT WRITTEN AUTHORIZATION FROM AMP (TAIWAN) LTD. DIMENSIONS IN MILLIMETERS. DO NOT SCALE PRINT.

PRINT DIST
DW



NAME	DIMENSIONS	QUANTITY
CARTON	367 X 247 X 102	90 PCS
TRAY	340 X 236 X 18	15 PCS

TOLERANCES UNLESS OTHERWISE SPECIFIED:		DWN	S. HOU	 TYCO HOLDINGS (BERMUDA) VII LTD. TAIWAN BRANCH
0 PLC ±			19-MAY-2005	
1 PLC ±		CHK	W.J. KE	NAME
2 PLC ±			19-MAY-2005	
3 PLC ±		APVD	W.J. KE	SOCKET ASS'Y, ZIF, PGA 370 PIN, 19X19 GRID.
ANGLES ±			19-MAY-2005	
MATERIAL	-	PRODUCT SPEC	-	LOC SIZE DRAWING NO REV DW A ₃ C-1734396 O
FINISH	-	APPLICATION SPEC	-	
		WEIGHT	-	SCALE
				SHEET

SEE SHEET 1.	ECN	DWN	CHK	DATE
LTR	REVISION RECORD			

D
C
B
A